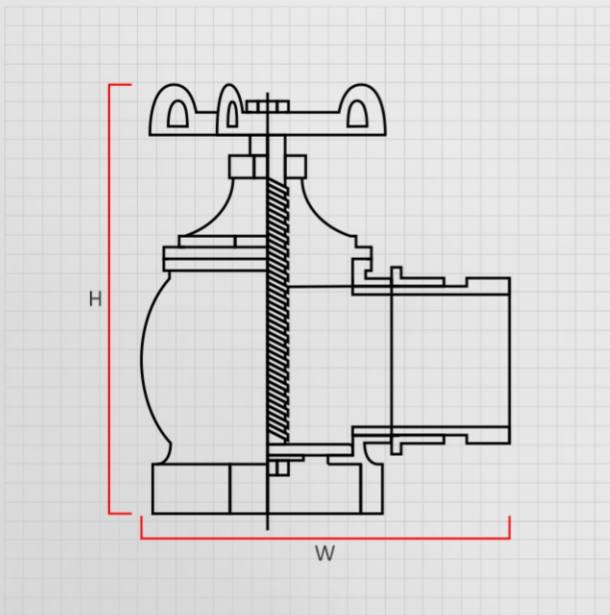


APPRON

HYDRANT VALVE



ANGLE VALVE



Features /

APPRON Original Marking in the form of an embossed in angle valve body.
APPRON Hydrant Valve is a device that has a function as a regulator of the flow of water that comes out of the fire hydrant installation output. With a strong and good material, the hydrant valve can work well as a water control valve. The hydrant valve is one of the core tools of the Fire Hydrant System.

Specifications /

SERTIFIKAT PENGUJIAN
 LAB PMK D.K.I JAKARTA
 NO. 65 & 683 / TB.06.01



Part Number	AP-HV1040	AP-HV1050	AP-HV1065	AP-HV1640	AP-HV1650	AP-HV1665
Type	10 K			16 K		
Size / Fitting Diameter	1,5" (40 mm)	2" (50 mm)	2,5" (65 mm)	1,5" (40 mm)	2" (50 mm)	2,5" (65 mm)
Working Pressure	10 bar			16 bar		
Test Pressure	15 bar			20 bar		
Overall Size (Machino)	105(H) x 140(W)	130(H) x 160(W)	157(H) x 210(W)	105(H) x 140(W)	130(H) x 160(W)	157(H) x 210(W)
Overall Weight (Machino)	1.000 gr	1.700 gr	2.600 gr	1.000 gr	1.700 gr	2.600 gr
Material	FULL BRASS CASTING					
Finishing	Natural Brass Polished / Chrome Plated Brass			Chrome Plated Brass		

In line with our policy of continuous improvement we reserve the right to amend any specification without notice.



APPRON FIRE FIGHTING SUPPLIER

CATALOG NO. HV/AP2023