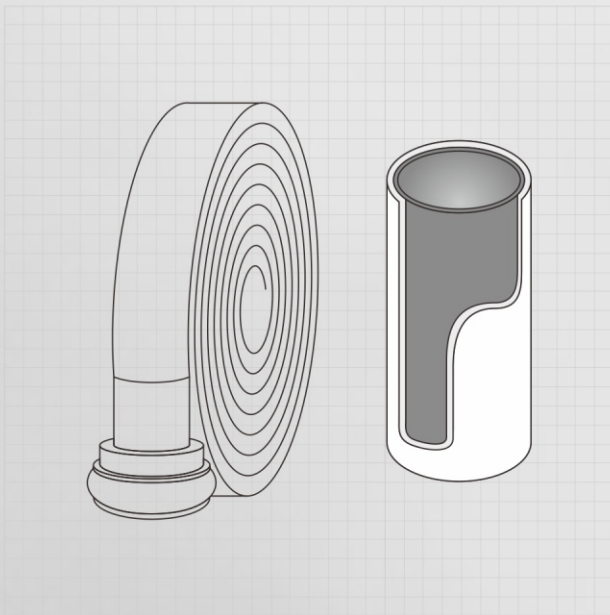


# APPRON

## HYDRANT FIRE HOSE



## POLYESTER TPE FIRE HOSE



Available with All International Fittings



### ■ Features /

**APPRON Original Marking** in the form of an embossed & laser marked logo in fitting & coupling cover rubber.  
**APPRON Polyester TPE Fire Hose** is for use by professional fire fighters in the most demanding situations. It is constructed with 100% Polyester Staple dan Polyester Filaments that is special cloth in fire hose industries. With Light, Resisting High Pressure, Soft Resisting Cold And Long Service Life characteristics.

### ■ Specifications /

Approvals: EN54 LPCB CE NFPA® Veriflex Sertifikasi

|                       |   |              |                            |            |                            |              |
|-----------------------|---|--------------|----------------------------|------------|----------------------------|--------------|
| Part Number           | FHW-1520                                      | FHW-1530     | FHW-2020                   | FHW-2030   | FHW-2520                   | FHW-2520     |
| Size (Dia. x Length)  | Ø1,5" x 20 M                                  | Ø1,5" x 30 M | Ø2" x 20 M                 | Ø2" x 30 M | Ø2,5" x 20 M               | Ø2,5" x 30 M |
| Working Pressure      | 13 ~ 15 Kg/cm <sup>2</sup>                    |              | 16 ~ 18 Kg/cm <sup>2</sup> |            | 19 ~ 23 Kg/cm <sup>2</sup> |              |
| Bursting Pressure     | 35 ~ 39 Kg/cm <sup>2</sup>                    |              |                            |            |                            |              |
| Overall Weight        | ± 4.000 gr                                    | ± 5.500 gr   | ± 6.500 gr                 | ± 7.500 gr | ± 8.000 gr                 | ± 9.500 gr   |
| Temperature           | -5°F ~ 200°F / -20°C ~ 100°C                  |              |                            |            |                            |              |
| Fire Hose Material    | 100% Polyester Staple dan Polyester Filaments |              |                            |            |                            |              |
| Hose Fitting Material | Aluminium Alloy / Brass                       |              |                            |            |                            |              |

In line with our policy of continuous improvement we reserve the right to amend any specification without notice.

ORIGINAL PRODUCT APPRON ID:000638372



APPRON

APPRON FIRE FIGHTING SUPPLIER

CATALOG NO. FHW-AP2022